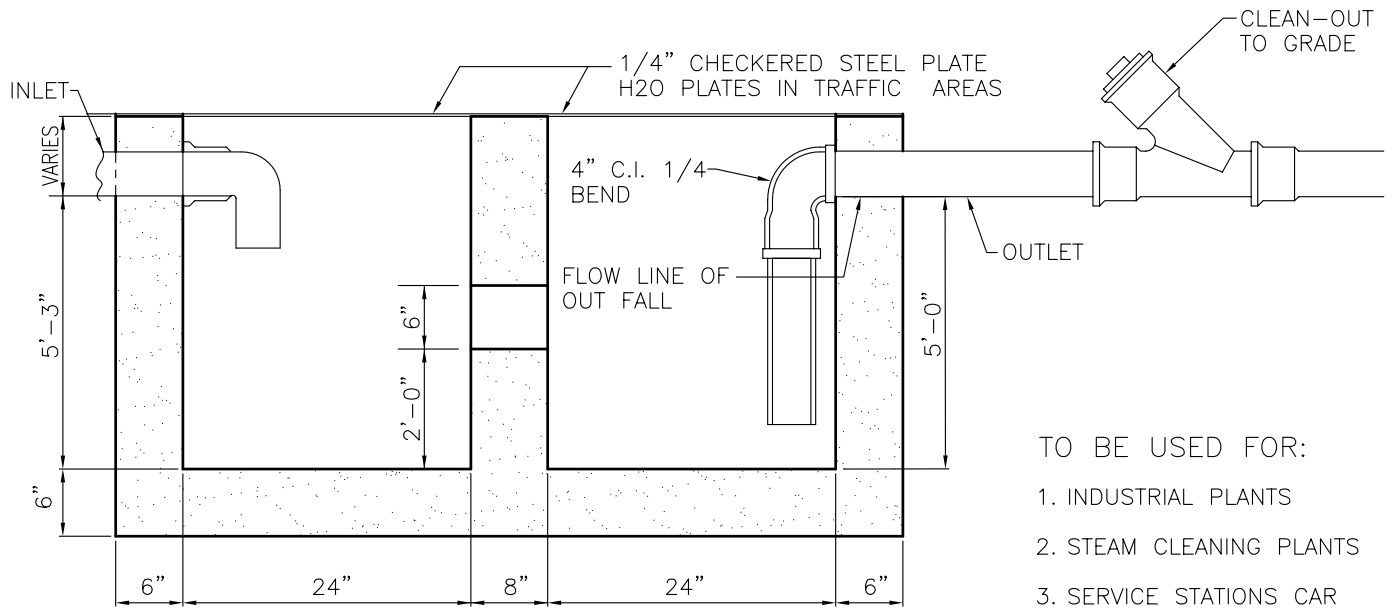


PREFAB ALT.  
 JENSEN PRECAST MODELS  
 CL750 OR CL1000

SECTIONAL PLAN



- TO BE USED FOR:
1. INDUSTRIAL PLANTS
  2. STEAM CLEANING PLANTS
  3. SERVICE STATIONS CAR WASH RACKS

ELEVATION SECTION A-A

COMMERCIAL AND  
 INDUSTRIAL GREASE TRAP

REVISIONS  
 09-22-93

CITY OF KERMAN

STD.  
 NO.  
 S-9